

ULTRA-COMPACT, FAST AND ACCURATE

Epson industrial robots reflect over 40 years of experience in the construction and operation of modern assembly automation. Since its launch in 1980, Epson is one of the leading global suppliers in this sector.

Do you want to learn more about the new Epson G3 SCARA? Everything you need to know can be found below.



Epson G3-351S
Cleanroom

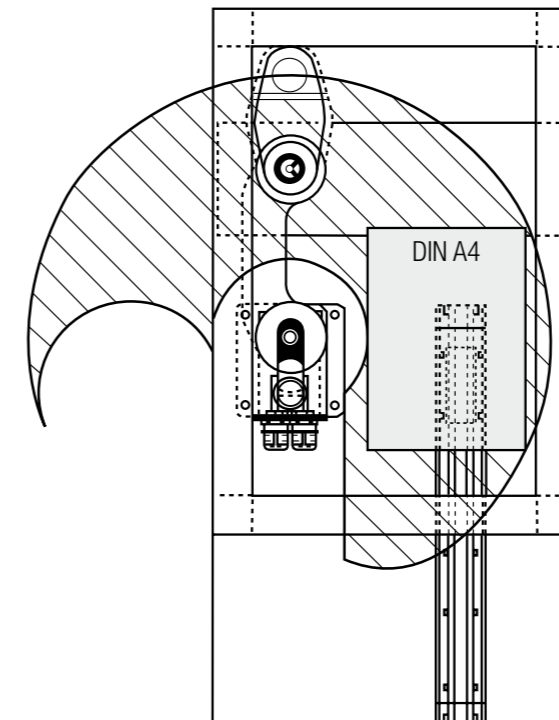
SINUS OR COSINUS – THE ART OF THE ARCH

With Sinus and Cosinus we aren't referring to mathematical functions, but are simply describing the fundamental difference between our G3 SCARA models. Sinus stands for models with a first arm that can be rotated to the left (sine) and Cosinus refers to a first arm that can be rotated to the right (cosine). Their special strength: Thanks to this innovative, patented solution the robots can achieve maximum reach with minimum footprint. The Epson Sinus/Cosinus 350 is the only SCARA on the market with a reach covering more than an entire DIN A4 sheet.

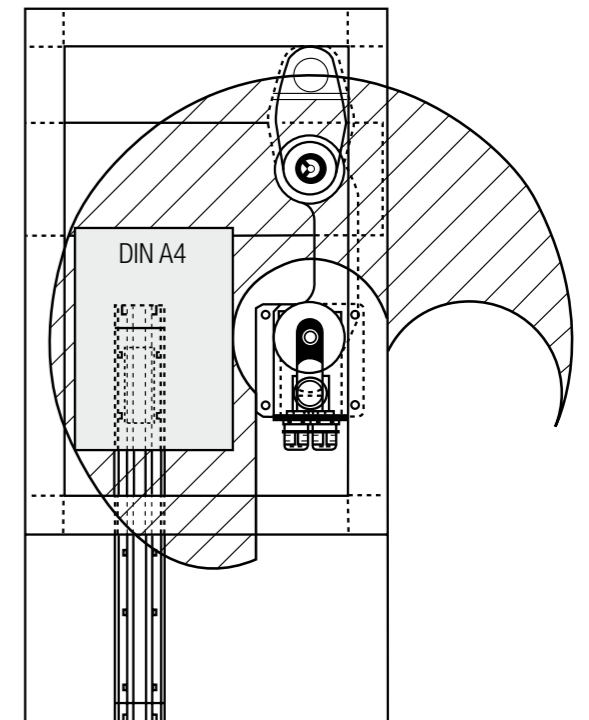


Epson Sinus 350

Robot model		G3-251	G3-301 G3-301 Sinus G3-301 Cosinus	G3-351 G3-351 Sinus G3-351 Cosinus
Payload	(kg)	nom./max.	1/3	1/3
	nom./max.			
Reach	(mm)	horiz. (J1 + J2)	250 (120 + 130)	300 (170 + 130)
	(mm)	vert. (J3)	150 and/or 120 (cleanroom)	150 and/or 120 (cleanroom)
Repeat accuracy	(mm)	horiz. (J1 + J2)	+/- 0.008	+/- 0.010
	(mm)	vert. (J3)	+/- 0.010	+/- 0.010
	(°)	Orientation (J4)	+/- 0.005	+/- 0.005
Moment of inertia	(kg m ²)	nom./max.	0.005/0.05	0.005/0.05
User cabling		electric	15	15
		pneumatic	3 (1-4 mm & 2-6 mm)	3 (1-4mm & 2-6 mm)
Z-Axis Ø	(mm)	Outer / Inner	16 / 11	16 / 11
Insertion force Z-Axis	(N)	permanent	150	150
Hole centre distance	(mm)		120 x 120 (4-M8)	120 x 120 (4-M8)
Weight	(kg)	pedestal/wall/ceiling	14	14
Controller			RC180	RC180
Manipulator configuration		Mounting options	pedestal	pedestal/wall/ceiling
		Cleanroom & ESD	Cleanroom class 10 and/or ISO 3 & ESD	Cleanroom class 10 and/or ISO 3 & ESD
Available options		Manipulator	Longer cables (5m/10m/20m), tool adaptor, for pedestal mounting: Cable outlet directly below the pedestal (power/signal cable and user cabling)	
		Controller	Epson Smart Vision (for mobile & static use), manual control devices (OP1, TP1), I/O-extension, interface cards (RS232, Profibus, Devicenet, CC-Link, Ethernet IP), ActiveX Control, ready-made cable kits for I/O and emergency-off	



Epson Cosinus 350 working range

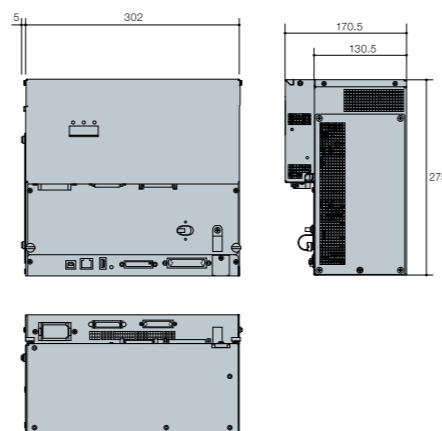


Epson Sinus 350 working range

* only for models with straight arm

EPSON RC 180 ROBOT CONTROLLER

The Epson RC 180 controller is small and compact and offers the variety and reliability that are typical for Epson products. The programming of the Epson RC180 controller is intuitive and comprehensive. It is implemented via an external PC, allowing programs to be created comfortably at your desk. Diverse options such as fieldbus and Epson Smart Vision can be seamlessly integrated into the programming environment.



Dimensions of the Epson RC180 robot controller in mm



Epson RC180 robot controller with two optional boxes



Epson Teach Pendant TP1



Epson Operator Pendant OP1

EPSON INDUSTRY SOLUTIONS CENTER



We would be pleased to demonstrate the new G3 robots at the Epson Industry Solutions Center. Simply give us a call and make an appointment. We look forward to welcoming you!

Epson Deutschland GmbH
- Factory Automation Division -
Otto-Hahn-Strasse 4
40670 Meerbusch

Tel.: +49 (0) 2159 / 538 1391
Fax: +49 (0) 2159 / 538 3170
E-Mail: robot.infos@epson.de
www.epson.de/robots



INNOVATION FROM TRADITION EPSON ROBOTS G3

